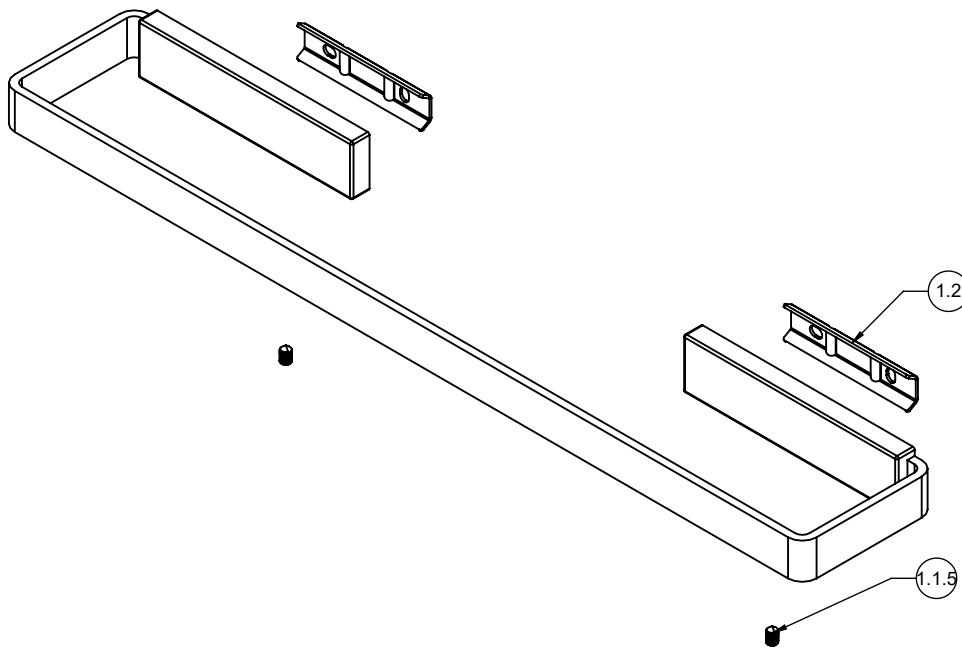


78-18  
78-24  
78-30



To order spare parts add and/or replace as stated below:

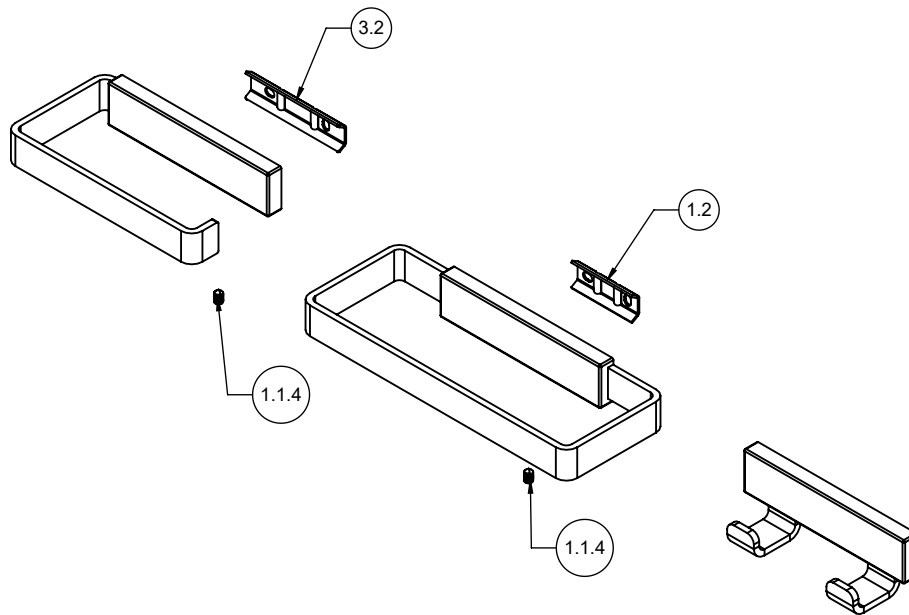
**SPD-** prefix added to part number(s)  
**-ZZ** replaced with finish code (see finish table)  
**-WW** replaced with **-90** (light finish) or **-96** (dark finish)

Ex: **SPD-7-100463-PC** or **SPD-86030-96**

ITEM	PART NO	DESCRIPTION	QTY.
1.1.5	86248-90	SETSCREW M5 X 0.8 X 8MM SCKT HD CONE PT SS	2
1.2	50927-90	LG WALL BRACKET	2
1.3	86072-90	SCREW M3.9 X 38MM PH FLT HD SS	4
1.5	92392A230	ANCHOR, TOGGLE, 3/8"-1/2" WALL	4
1.6	880007-91	KEY, ALLEN, 2.5MM	1

for ITEM 1.1.5

78-TR  
78-DRH  
78-STP



To order spare parts add and/or replace as stated below:

**SPD-** prefix added to part number(s)  
**-ZZ** replaced with finish code (see finish table)  
**-WW** replaced with **-90** (light finish) or **-96** (dark finish)

Ex: **SPD-7-100463-PC** or **SPD-86030-96**

ITEM	PART NO	DESCRIPTION	QTY.
1.1.4	86248-90	SETSCREW M5 X 0.8 X 8MM SCKT HD CONE PT SS	1
1.2	50928-ZZ	SM WALL BRACKET	1
1.3	92392A230	ANCHOR, TOGGLE, 3/8"-1/2" WALL	2
1.4	86072-90	SCREW M3.9 X 38MM PH FLT HD SS	2
1.5	880007-91	KEY, ALLEN, 2.5MM	1
3.2	50927-90	LG WALL BRACKET	1

for ITEM 1.1.4